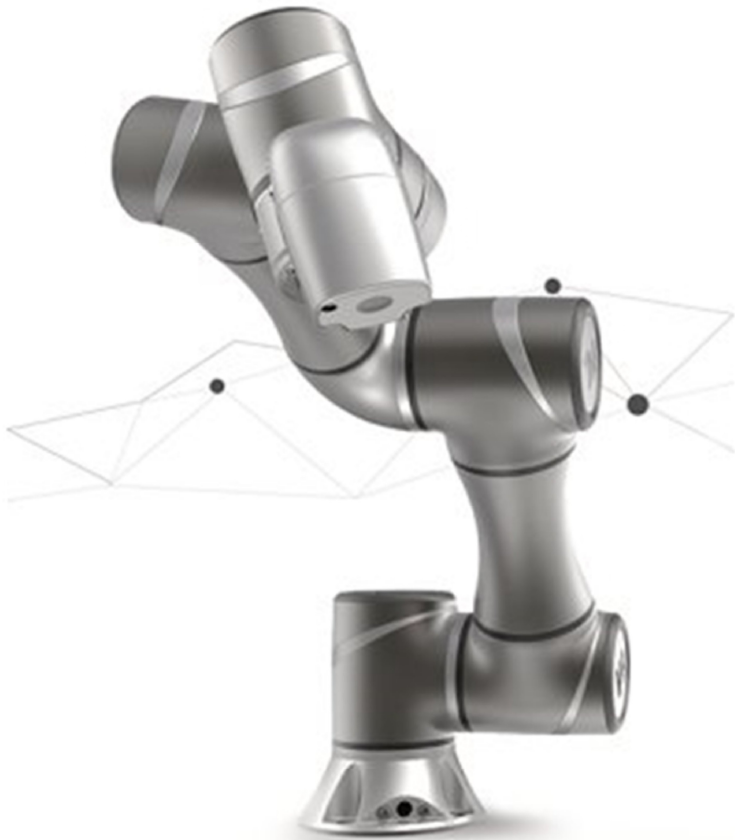




# TM-Series Collaborative Robots



## Applications



Screwing



Glueing



Machine Tending



Conv. Tracking



Pick and Place



Assembly



QC Inspection



Unlimited Potential

## SMART

With the powerful built-in vision system and TM flow™ user interface, the TM Robot can see, process and complete automation tasks easily alongside humans.

## SIMPLE

The intuitive hand-guiding function to teach the robot every position and waypoint in the task makes it one of the most user friendly platforms available today. An all-graphics based flow-chart HMI allows operators to use the robot just as easily as their smart phones.

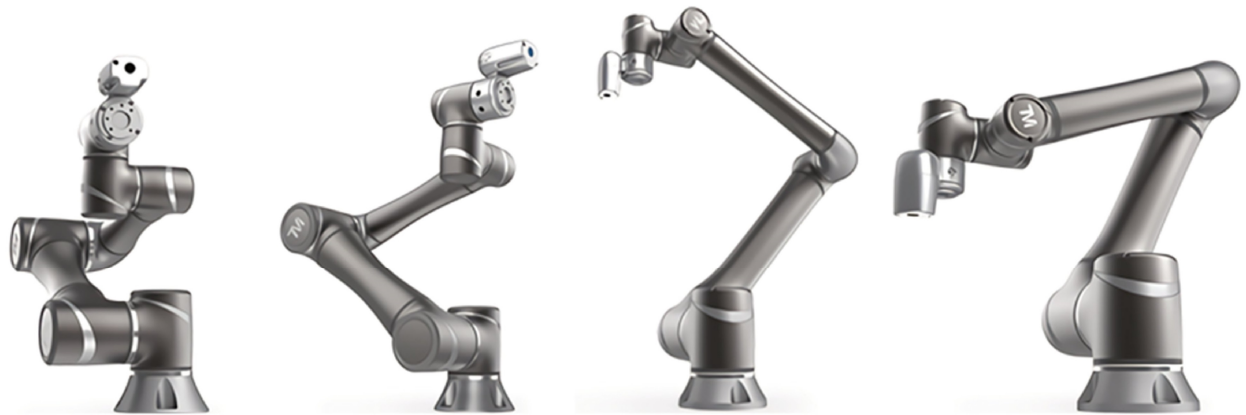
## SAFE

TM series robots comply with the ISO 10218 human-robot safety requirement. This level of safety brings today's production and manufacturing environments into the era of true human-robot collaboration.

## Your Benefits

- Complete and ready to run system.
- Easy programming.
- Reduced injuries due to dangerous or repetitive tasks.
- Touch-Point reduction and precise repeatability.
- Fast return-on-investment (ROI).

# Models



	TM5-700	TM5-900	TM 12	TM 14
Robot Weight	22.1kg	22.6kg	33.3kg	32.6kg
Payload	6kg	4kg	12kg	14kg
Reach	700mm	900mm	1300mm	1100mm
max. Speed	1.1m/s	1.4m/s	1.3m/s	1.1m/s

## Perfect Fit for these Industries:

- Packaging
- CNC Industry
- Semiconductor
- 3C Industry (Computer, Communication and Consumer)
- Food Industry
- your Industry here...

## End-Effector Plug and Play Solution:



Robotiq



TOYO



Schunk



Schmalz